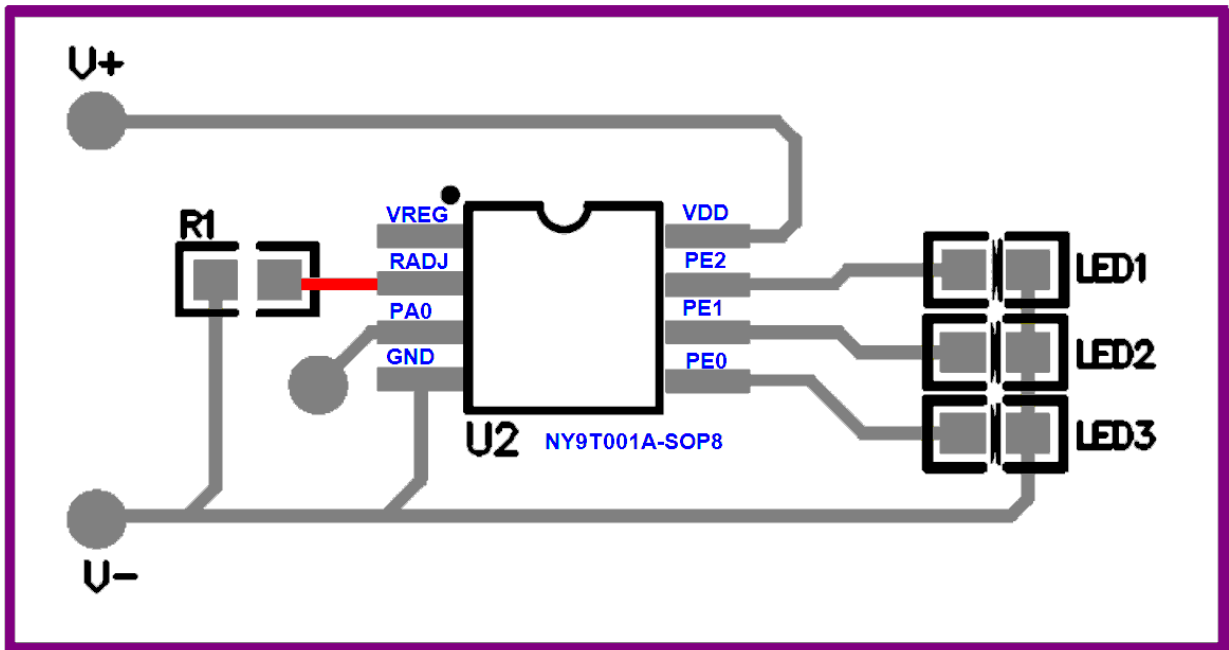


## Precautions to PCB Layout for $R_{ADJ}$ in NY9T Series

**Description:** The notice of PCB layout for  $R_{ADJ}$  in NY9T series.

**Reason:** If users adjust the touch sensitivity through  $R_{ADJ}$  should notice the  $R_{ADJ}$  trace. The trace length is too long, a parallel trace or a parallel GND trace nearby, or GND at the back of  $R_{ADJ}$  at different layer will cause loss of accuracy in recommended  $R_{ADJ}$  value.

**Solution:** PCB designer should notice that the length of  $R_{ADJ}$  trace from IC to resistor must be within 0.5cm, and also avoids any parallel trace, or parallel GND nearby or at different layer to prevent loss of accuracy in the recommended  $R_{ADJ}$  value. The following figure shows the recommended PCB layout.



**Note:** When the R1 resistor is not connected, the  $R_{ADJ}$  pin should be floating.